

APPLICATION:

PRODUCT NAME:

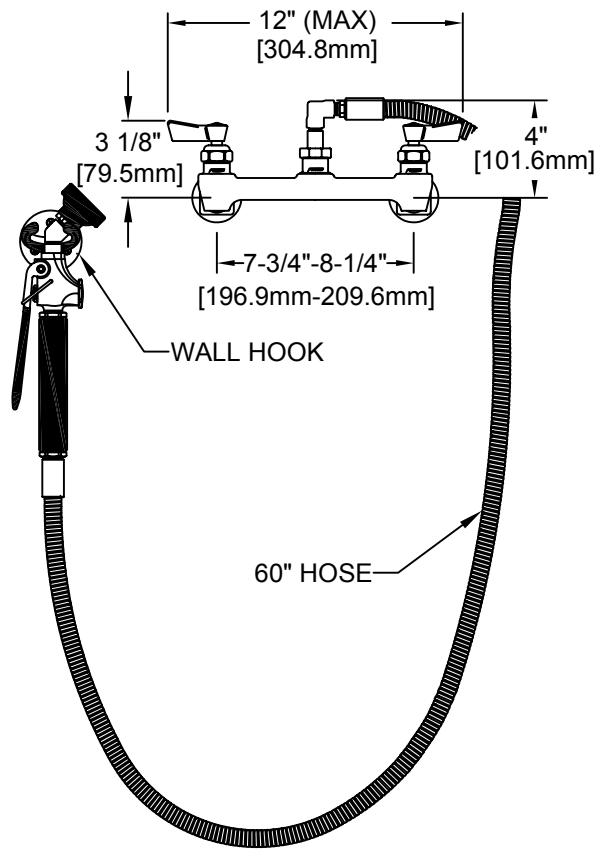
**8" ADJ. WALL MOUNT UTILITY SPRAY**

JOB NAME:

- \_\_\_\_\_ SPECIAL CONFIGURATION  
(CHECK BASE MODEL AND OPTIONS)
- MODEL:
- 2270 WITH WALL HOOK

QUANTITY:

ITEM NO.:



OPTIONS OR MODIFICATIONS:

- SUPPLY LINES (24" OR 36") CIRCLE LENGTH
- ADD-ON FAUCET (6", 8", 10", 12", 14", 16") CIRCLE LGTH
- BACKFLOW PREVENTER
- PIPE HOOK
- NIPPLES
- ELBOWS
- BRUSH
- VANDAL RESISTANT KIT
- HANDLES (CROSS OR WRIST) CIRCLE STYLE
- OTHER \_\_\_\_\_

FEATURES:

CONTROL VALVE

- \* ECCENTRICS ADJUST FROM 7-3/4" TO 8-1/4"
- \* INTERNAL SPRING LOADED CHECK VALVES
- \* SWIVELING SEAT DISKS
- \* HOT SIDE STEM - RIGHT HAND
- \* COLD SIDE STEM - LEFT HAND
- \* STAINLESS STEEL SEATS
- \* STAINLESS STEEL SEAT SCREWS
- \* STAINLESS STEEL HANDLE SCREWS

SWIVEL ELBOW

- \* 360° TURNING RADIUS

HOSE

- \* 60" LENGTH
- \* STAINLESS STEEL END FITTINGS
- \* STAINLESS STEEL EXTERNAL JACKET
- \* 3 PLY FIBER REINFORCED INTERNAL RUBBER HOSE

UTILITY SPRAY VALVE

- \* NOZZLE THREADED INTO VALVE
- \* 2.65 GPM AT 80 PSI
- \* SHOWER SPRAY PATTERN
- \* 45°F ANGLED HEAD

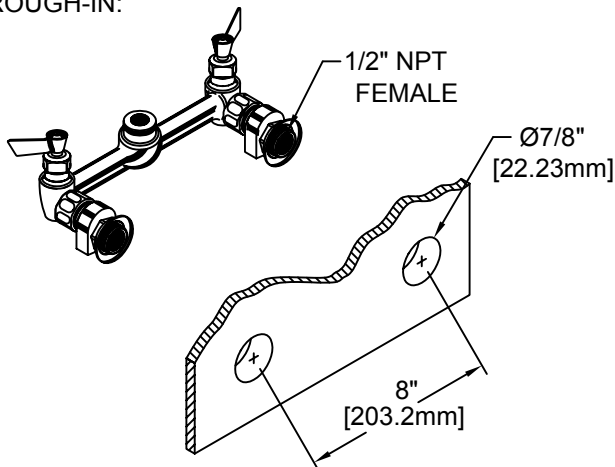
SYSTEM LIMITS

- \* TEMPERATURE: 40°F MIN. TO 140°F MAX.
- \* PRESSURE: 200 PSI MAX. STATIC

SHIPPING WEIGHT

- \* 6.0 LBS

ROUGH-IN:



ANSI/A112.18.1M, ANSI/NSF 61.9

**FISHER**

FISHER MANUFACTURING COMPANY  
TOLL FREE: 800-421-6162 - FAX: 800-832-8238  
information@fisher-mfg.com - www.fisher-mfg.com