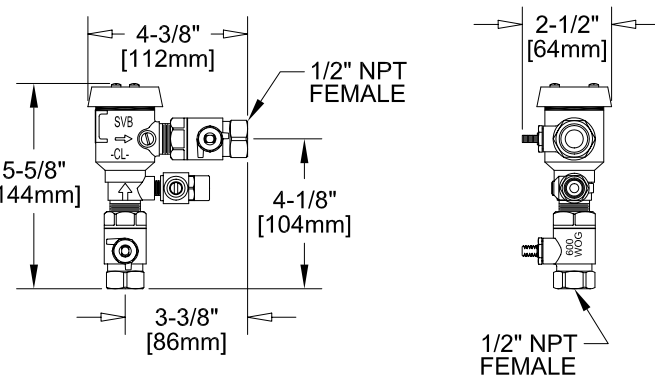


APPLICATION: PRODUCT NAME:
 EXPOSED PIPING REEL RINSE
 INSTALLATION KIT

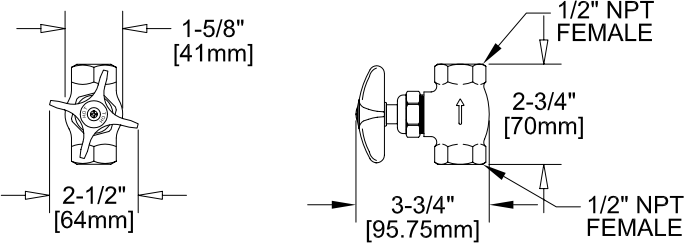
JOB NAME: SPECIAL CONFIGURATION
 CHECK BASE MODEL AND OPTIONS

QUANTITY: ITEM NO. MODEL:
 29475

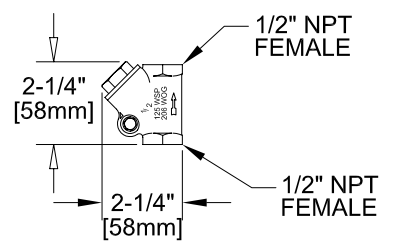
#14443 - VACUUM BREAKER OPTIONS OR MODIFICATIONS:
 OTHER _____



#17639 - CONTROL VALVE FEATURES
 KIT INCLUDES THE FOLLOWING
 #14443 - VACUUM BREAKER (QTY: 1)
 #2936-9000 - CHECK VALVE (QTY: 2)
 VACUUM BREAKER
 * ANTI-SPILL DESIGN
 * ASSE - 1056 APPROVED
 CONTROL VALVE
 * INTERNAL SPRING LOADED CHECK VALVES
 * SWIVELLING SEAT DISKS
 * RIGHT HAND SWIVEL STEM WITH CROSS HANDLES
 * STAINLESS STEEL SEATS
 * STAINLESS STEEL SEAT SCREWS
 * STAINLESS STEEL HANDLE SCREWS
 * BLUE AND RED INDEX BUTTONS INCLUDED



#2936-9000 - CHECK VALVE SYSTEM LIMITS
 * TEMP: 40°F MIN. TO 140°F MAX.
 * PRESSURE: 150 PSI MAX STATIC



RECOMMENDED LAYOUT**

