

APPLICATION:

PRODUCT NAME:

PEDESTAL GLASS FILLER

JOB NAME:

SPECIAL CONFIGURATION  
 CHECK BASE MODEL AND OPTIONS

QUANTITY:

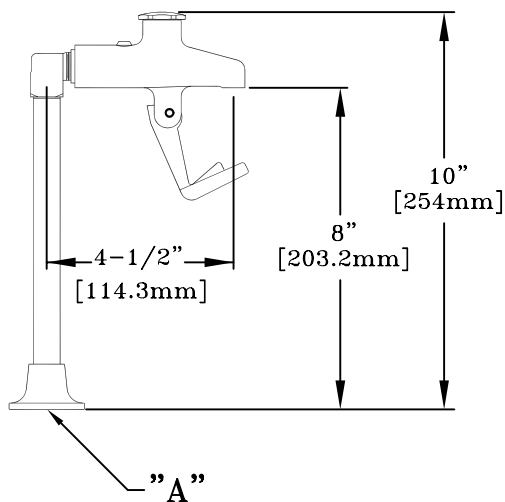
ITEM NO.

MODEL:

- 1010 3/8" FEMALE INLET
- 1011 1/2" FEMALE INLET

OPTIONS OR MODIFICATIONS:

- SUPPLY LINES (24" OR 36") CIRCLE LENGTH
- NIPPLES
- ELBOWS
- HANDLES (CROSS OR WRIST) CIRCLE STYLE
- VANDAL RESISTANT KIT
- OTHER \_\_\_\_\_



FEATURES

- \* REPLACEABLE STAINLESS STEEL HEAD
- \* MEETS NSF 61/SEC.9
- \* TAMPER PROOF VOLUME CONTROL
- \* HANDLES BOTH PAPER & GLASS CAPS
- \* DELRIN PRONG, NON-MARRING
- \* STAINLESS STEEL SEAT SCREWS
- \* STAINLESS STEEL STREAM STRAINER

TESTED UNDER NSF-CSA ALLIANCE PROGRAM

RECOMMENDED SETTINGS

- \* 2.2 GPM MAX. AT 80 PSI

SYSTEM LIMITS

- \* TEMP: 40°F MIN. TO 140°F MAX.
- \* PRESSURE 100 PSI MAX. STATIC

SHIPPING WEIGHT

- \* 2.25 LBS

MODEL	DIM "A"
1010	3/8" NPT
1011	1/2" NPT

ROUGH-IN:

1010	1011
 $\phi 11/16"$ [17.46mm]	 $\phi 7/8"$ [22.23mm]

