

APPLICATION:

PRODUCT NAME:

3/4" ANGLE STOP

JOB NAME:

\_\_\_\_\_ SPECIAL CONFIGURATION  
(CHECK BASE MODEL AND OPTIONS)

QUANTITY:

ITEM NO.:

MODEL:

14249 WITH CROSS HANDLE

OPTIONS OR MODIFICATIONS:

OTHER \_\_\_\_\_

FEATURES:

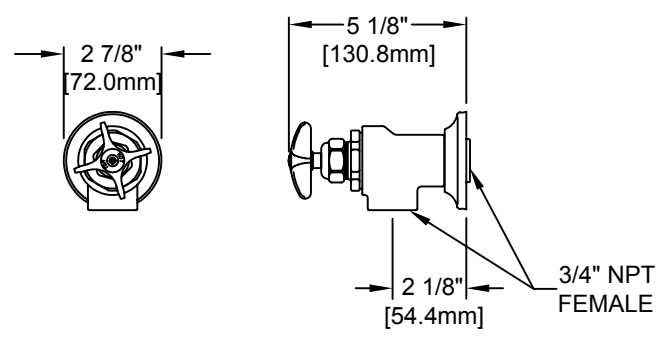
- \* STEM - RIGHT HAND
- \* SWIVELING SEAT DISKS
- \* HOT AND COLD INDEX BUTTONS
- \* STAINLESS STEEL SEAT
- \* STAINLESS STEEL SEAT SCREW
- \* STAINLESS STEEL HANDLE SCREW

SYSTEM LIMITS

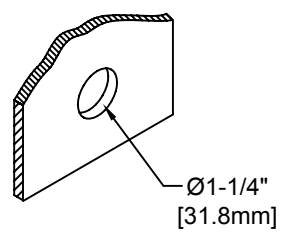
- \* TEMPERATURE: 40°F MIN. TO 140°F MAX.
- \* PRESSURE: 200 PSI MAX. STATIC

SHIPPING WEIGHT

\* 6.0 LBS



ROUGH-IN:



ANSI/A112.18.1M, ANSI/NSF 61.9



FISHER MANUFACTURING COMPANY  
TOLL FREE: 800-421-6162 - FAX: 800-832-8238  
information@fisher-mfg.com - www.fisher-mfg.com

APPLICATION:

PRODUCT NAME:

STOP ANGLE 1/2 X 1/2 XH

JOB NAME:

SPECIAL CONFIGURATION  
 CHECK BASE MODEL AND OPTIONS

QUANTITY:

ITEM NO.

MODEL:

1790-1

OPTIONS OR MODIFICATIONS:

OTHER \_\_\_\_\_

FEATURES

CONTROL VALVE

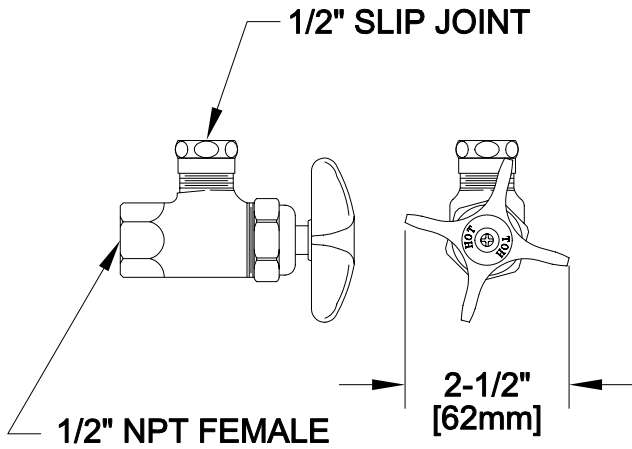
- \* STEM - RIGHT HAND
- \* SWIVELLING SEAT DISK
- \* INTERNAL SPRING LOADED CHECK VALVE
- \* HOT AND COLD INDEX BUTTONS
- \* STAINLESS STEEL SEAT
- \* STAINLESS STEEL SEAT SCREW
- \* STAINLESS STEEL HANDLE SCREW

SYSTEM LIMITS

- \* TEMP: 40°F MIN. TO 140°F MAX.
- \* PRESSURE: 200 PSI MAX. STATIC

SHIPPING WEIGHT

- \* 1.0 LB



FISHER MANUFACTURING COMPANY

TOLL FREE: 800-421-6162 - FAX: 800-832-8238

information@fisher-mfg.com - www.fisher-mfg.com