

APPLICATION:

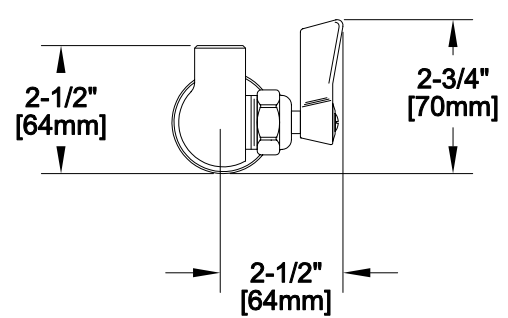
JOB NAME:

QUANTITY: ITEM NO.

PRODUCT NAME:
SINGLE WALL MOUNT CONTROL VALVE
RIGID OUTLET

SPECIAL CONFIGURATION
 CHECK BASE MODEL AND OPTIONS

MODEL:
■ 2700



OPTIONS OR MODIFICATIONS:

HANDLES (CROSS OR WRIST) CIRCLE STYLE

VANDAL RESISTANT KIT

OTHER _____

FEATURES

CONTROL VALVE

- * SINGLE WALL
- * SWIVELLING SEAT DISK
- * STEM - RIGHT HAND
- * STAINLESS STEEL SEAT
- * STAINLESS STEEL SEAT SCREW
- * STAINLESS STEEL HANDLE SCREW
- * HOT AND COLD INDEX BUTTONS

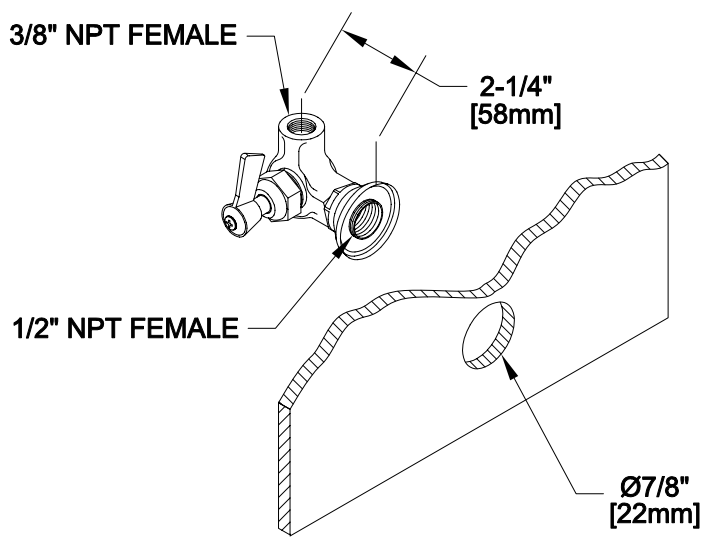
SYSTEM LIMITS

- * TEMP: 40°F MIN. TO 140°F MAX.
- * PRESSURE: 200 PSI MAX. STATIC

SHIPPING WEIGHT

- * 1.75 LBS

ROUGH-IN:



FISHER

FISHER MANUFACTURING COMPANY

TOLL FREE: 800-421-6162 - FAX: 800-832-8238

information@fisher-mfg.com - www.fisher-mfg.com

APPLICATION:

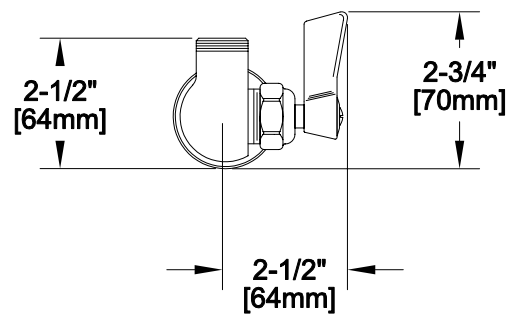
JOB NAME:

QUANTITY: ITEM NO.

PRODUCT NAME:
 SINGLE WALL MOUNT CONTROL VALVE - SWIVEL

SPECIAL CONFIGURATION
 CHECK BASE MODEL AND OPTIONS

MODEL:
 3700



OPTIONS OR MODIFICATIONS:

HANDLES (CROSS OR WRIST) CIRCLE STYLE

VANDAL RESISTANT KIT

OTHER _____

FEATURES

- CONTROL VALVE**
- * SINGLE WALL
 - * SWIVELLING SEAT DISK
 - * STEM - RIGHT HAND
 - * STAINLESS STEEL SEAT
 - * STAINLESS STEEL SEAT SCREW
 - * STAINLESS STEEL HANDLE SCREW
 - * HOT AND COLD INDEX BUTTONS

- SYSTEM LIMITS**
- * TEMP: 40°F MIN. TO 140°F MAX.
 - * PRESSURE: 200 PSI MAX. STATIC

SHIPPING WEIGHT
 * 1.75 LBS

ROUGH-IN:

