

APPLICATION:

JOB NAME:

QUANTITY: ITEM NO.

PRODUCT NAME:
 TEMPERATURE CONTROL VALVE
 3/8" FEMALE

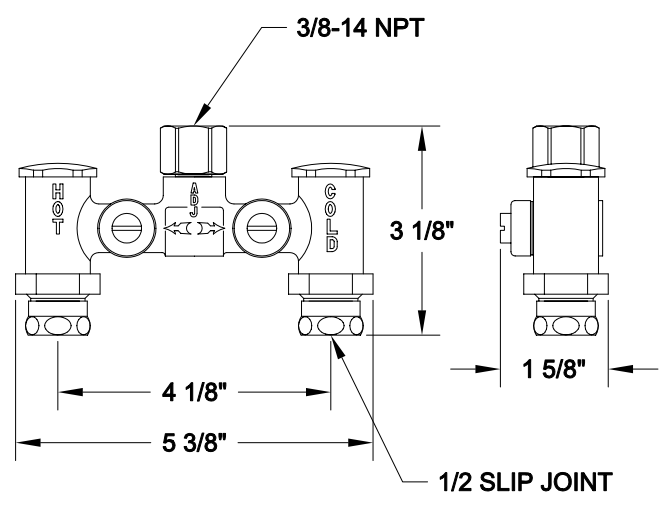
SPECIAL CONFIGURATION
 CHECK BASE MODEL AND OPTIONS

MODEL:
 2970-2

OPTIONS OR MODIFICATIONS:
 OTHER _____

FEATURES

- * INTERNAL CHECK VALVES
- * SCREWDRIVER ADJUSTS HOT AND COLD FLOW



APPLICATION:

PRODUCT NAME:
 TEMPERATURE CONTROL VALVE
 1/2 TP

JOB NAME:

_____ SPECIAL CONFIGURATION
 CHECK BASE MODEL AND OPTIONS

QUANTITY:

ITEM NO.

MODEL:
 2970-3

OPTIONS OR MODIFICATIONS:
 OTHER _____

FEATURES
 * INTERNAL SPRING LOADED CHECK VALVES
 * SCREWDRIVER ADJUSTS BOTH HOT AND COLD FLOW

SHIPPING WEIGHT
 * 1.75 LBS

